

Duplex-tank top return line filter Pi 510 Nominal size 40 up to 1000 according to DIN 24550

1. Features

Efficient filters for modern hydraulic systems

- Modular design
- Compact design
- Minimal pressure loss
- Visual contamination indication
- Threaded ports

Quality filters, easy to service

- Highly efficient Mic- or Sm-x filter elements
- β -rated elements per ISO 4572
- Large dirt holding capacity and high differential pressure stability providing optimal element service life

World-wide sales



2. Pressure drop curve compl. filter	sea leaflet Pi 500
3. Separation characteristics	sea leaflet Pi 500
4. Filter performance data	sea leaflet Pi 500
5. Test regulations	sea leaflet Pi 500
6. Symbols	sea leaflet Pi 500

7. Order numbers

7.1 Housing design

Housing design		NG	with bypass 3,5 bar and indicator cavity	with bypass 3,5 bar	with visual indicator 2,2 bar	with electrical indicator 2,2 bar	with electr. indicator (2 setting points, 3 LED)
Order-nr.	Type-nr.						
833.743.8	Pi 51004-047	40					
827.572.9	Pi 51004-057						
827.573.7	Pi 51004-058						
827.820.2	Pi 51004-058/PiS 3103						
833.744.6	Pi 51006-047	63					
827.551.3	Pi 51006-057						
827.530.7	Pi 51006-058						
833.745.3	Pi 51006-058/PiS 3103						
799.432.0	Pi 51010-047	100					
827.411.0	Pi 51010-057						
799.330.6	Pi 51010-058						
833.746.1	Pi 51010-058/PiS 3103						
827.645.3	Pi 51016-047	160					
833.747.9	Pi 51016-057						
827.664.4	Pi 51016-058						
826.777.5	Pi 51016-058/PiS 3103						
827.647.9	Pi 51025-47	250					
833.632.3	Pi 51025-57						
831.604.4	Pi 51025-58						
827.642.0	Pi 51025-058/PiS 3103						
827.648.7	Pi 51040-047	400					
833.749.5	Pi 51040-057						
833.750.3	Pi 51040-058						
833.751.1	Pi 51040-058/PiS 3103						
827.649.5	Pi 51063-047	630					
833.684.4	Pi 51063-057						
833.654.7	Pi 51063-058						
833.752.9	Pi 51063-058/PiS 3103						
833.753.7	Pi 51100-047	1000					
833.754.5	Pi 51100-057						
833.742.0	Pi 51100-058						
833.755.2	Pi 51100-058/PiS 3103						

7.2 Filter elements

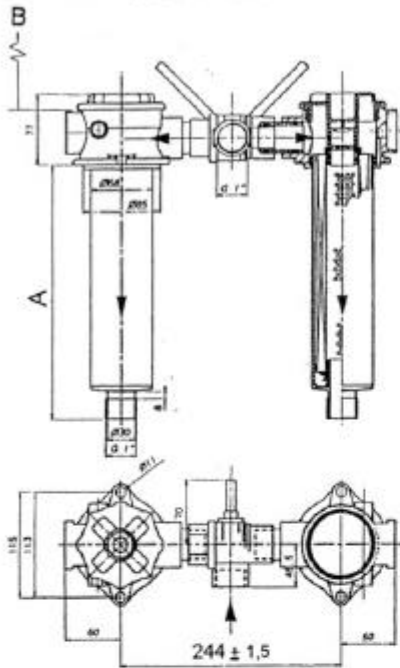
sea leaflet Pi 500

8. Specifications

sea leaflet Pi 500

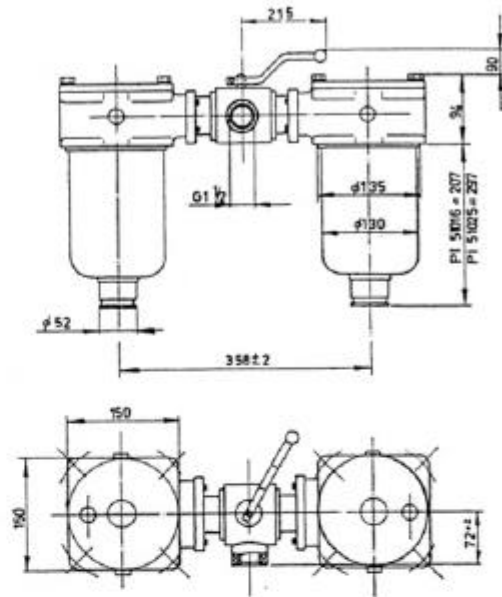
9. Dimensions

NG 40 - 100

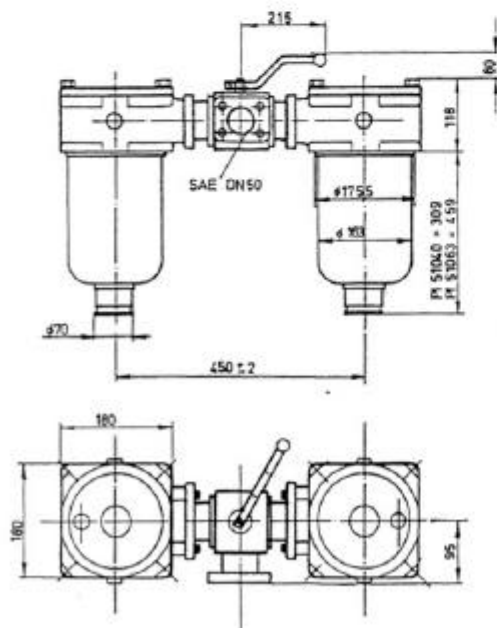


Type	Dim.	A	B
Pi 51004		130	150
Pi 51006		190	210
Pi 51010		280	300

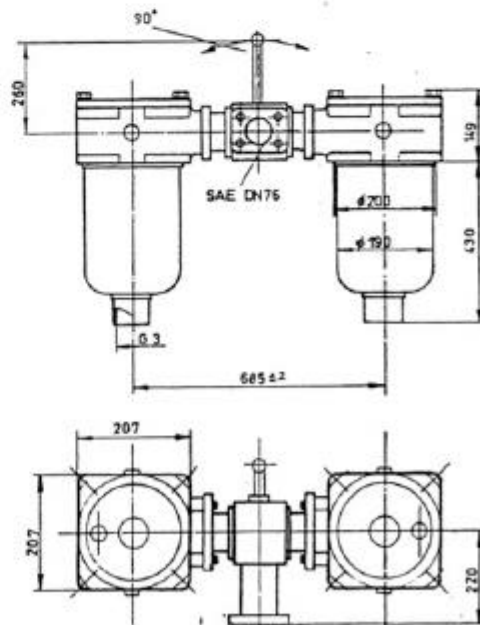
NG 160 and 250



NG 400 and 630



NG 1000



Further dimensions sea leaflet Pi 500

10. Installation, operating and maintenance instructions

sea leaflet Pi 500

11. Spare parts list

sea leaflet Pi 500

MAHLE Filtersysteme GmbH
Bereich Industriefilter
Schleifbachweg 45 D-74613 Öhringen
P.O. Box 13 09 D-74603 Öhringen
Tel./Phone +49 (0) 79 41 67-0
Telefax +49 (0) 79 41 67-4 29
Internet: www.mahle.com
E-mail: ub2.industrie@mahle.com