

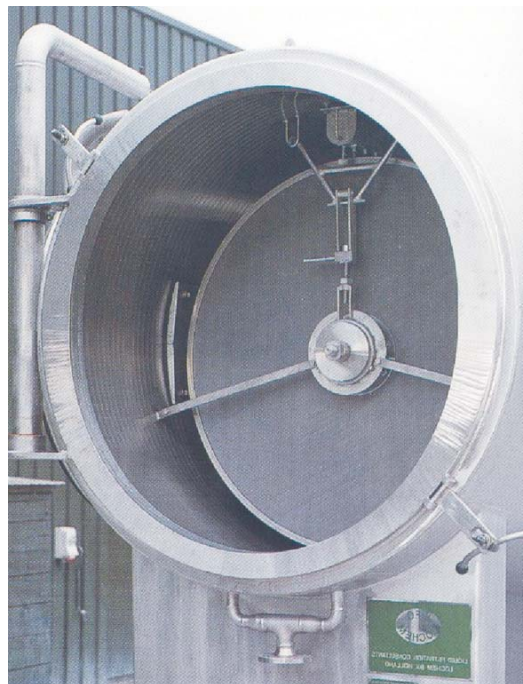
Roto Jet single and double conical model RJ wet cake discharge

1. Introduction

The amafilter Roto Jet single conical filter is available in various sizes, designs and materials. A choice can be made between an internal or an external sluice header.

In the Roto Jet conical filter the circular filter leaves are mounted vertically on a central mainshaft. At the end of the filter cycle the main shaft and filter leaves are rotated (approx. 3 rpm), a flat, powerful spray of liquid, operating like a knife, cleans the cake perfectly from the filter surface in only 1-2 minutes. The wet cake slurry is discharged from the drain in the conical bottom.

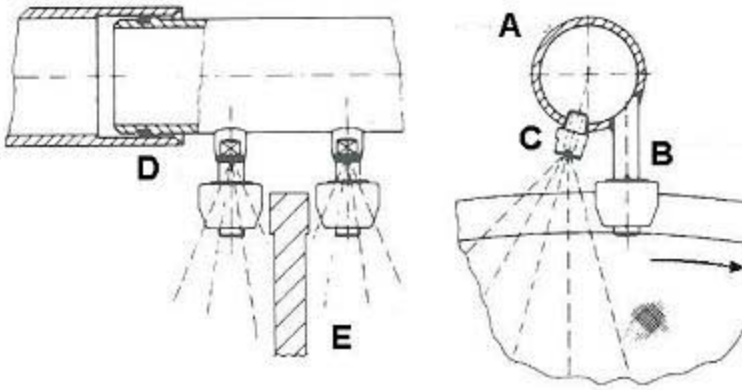
amafilter offers Roto Jet filters and complete systems with precoat and body feed tanks, piping, instrumentation and automation. The sizes of our installations vary from 0.1 m² laboratory units up to 200 m² industrial units.



2. Standard specifications

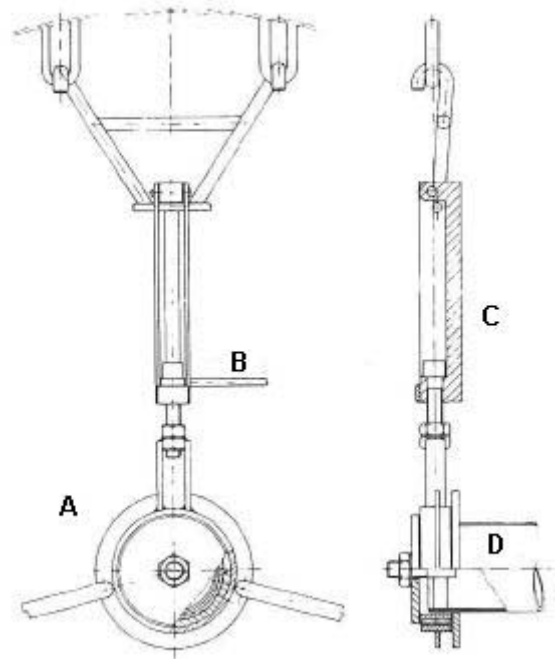
Material tank	: carbon steel (stainless steel optional)
Material filter elements	: stainless teel
Leaf spacing	: 75 mm
Design pressure	: -1/6 bar(g)
Design temperature	: 0/150 °C
Maximum differential pressure drop	: 4.5 bar
Design	: ASME VIII div 1 others on request

Filter leaf guide and spray header detail



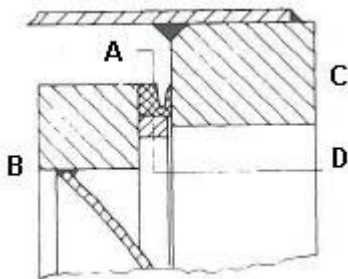
- A = Spray header
- B = Filter leaf guide
- C = Spray jet
- D = O-ring
- E = Filter leaf

Front toggle and bearing assembly



- A = Bearing House
- B = Handle
- C = Toggle
- D = Shaft

Door flange detail

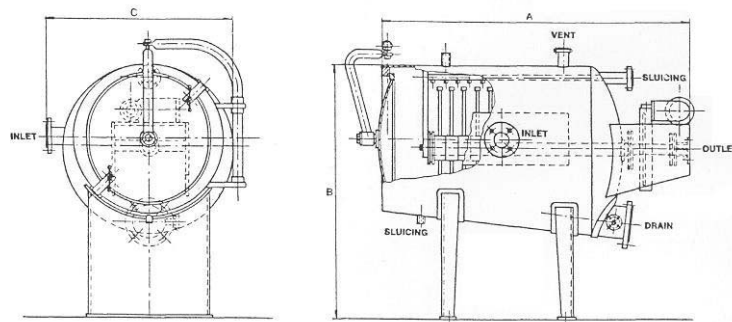


- A = Lipseal gasket
- B = Door
- C = Shell flange
- D = Gasket retainer and doorstop

3. Models and dimensions Single conical



Roto Jet model Single conical	Filter area [m ²]	Diameter Filter Leaves	No of leaves	Front shell [mm]	Rear Diam [mm]	Connections [DN]					Dimensions			Tank volume [m ³]
						Inlet	Outlet	Drain	Sluice	Vent	A	B	C	
RJ 10/900/9	10	900	9	1100	1250	50	100	150	80	40	2100	1650	1400	1.5
RJ 15/900/13	15	900	13	1100	1250	50	100	150	80	40	2400	1650	1400	1.9
RJ 20/900/18	20	900	18	1100	1250	50	100	150	80	40	2850	1650	1400	2.4
RJ 25/900/22	25	900	22	1100	1250	2x65	100	150	80	40	3150	1650	1450	2.7
RJ 30/1200/15	30	1200	15	1400	1550	80	150	200	80	50	2750	2200	1700	3.4
RJ 40/1200/19	40	1200	19	1400	1550	2x80	150	200	80	50	3210	2200	1700	4.1
RJ 50/1200/24	50	1200	24	1400	1550	2x100	150	250	80	50	3885	2200	1700	4.7
RJ 60/1200/28	60	1200	28	1400	1550	2x100	150	250	100	50	4070	2500	1750	5.6
RJ 70/1200/34	70	1200	34	1400	1550	2x100	150	250	100	50	4520	2500	1750	6.4
RJ 80/1200/38	80	1200	38	1400	1550	2x100	150	250	100	50	4905	2500	1850	7.3
RJ 90/1200/43	90	1200	43	1400	1550	2x100	150	250	100	50	5280	2500	1850	8
RJ 100/1200/48	100	1200	48	1400	1550	2x125	250	250	100	80	4390	2500	2200	9



4. Models and dimensions Double conical



Roto Jet model Double conical	Filter area [m ²]	Diameter Filter Leaves	No of leaves	Front shell [mm]	Connections [DN]					Dimensions			Tank volume [m ³]
					Inlet	Outlet	Drain	Sluice	Vent	A	B	C	
RJ 70/1200/34 DC	70	1200	34	1400	2x100	150	250	100	50	4305	2000	1800	6.2
RJ 80/1200/38 DC	80	1200	38	1400	2x100	150	250	100	50	4755	2000	1800	6.5
RJ 90/1200/43 DC	90	1200	43	1400	2x100	150	250	100	50	3150	2000	1800	7.1
RJ 100/1500/31 DC	100	1500	31	1750	2x125	250	250	100	80	4390	2500	2200	9
RJ 110/1500/34 DC	110	1500	34	1750	2x125	250	250	100	80	4615	2500	2200	9.6
RJ 120/1500/37 DC	120	1500	37	1750	2x125	250	250	100	80	4840	2500	2200	10.2
RJ 130/1500/40 DC	130	1500	40	1750	2x125	250	250	100	80	5065	2500	2200	10.8
RJ 140/1500/44 DC	140	1500	44	1750	2x125	250	250	2x80	100	5225	2500	2500	10.8
RJ 150/1500/47 DC	150	1500	47	1750	2x150	250	300	2x80	100	5450	2500	2500	11.4
RJ 160/1500/50 DC	160	1500	50	1750	2x150	250	300	2x80	100	5675	2500	2200	12
RJ 170/1500/53 DC	170	1500	53	1750	2x150	250	300	2x80	100	6000	2500	2200	12.9
RJ 180/1500/56 DC	180	1500	56	1750	2x150	250	300	2x80	100	6225	2500	2200	13.5
RJ 190/1500/60 DC	190	1500	60	1750	2x150	250	300	2x80	100	6525	2500	2200	14.6
RJ 200/1500/63 DC	200	1500	63	1750	2x150	250	300	2x80	100	4390	2500	2200	15.5

MAHLE Industrial Filtration (Benelux) B.V
P.O.Box 396 1800 AJ
Alkmaar - The Netherlands
Phone +31 (0) 72 5273400
Fax +31 (0) 72 5125207
mahle.amafilter@mahle.com
<http://www.mahle-industrialfiltration.com>
10/2009